



BREY-KRAUSE MANUFACTURING
 1209 W. LEHIGH ST., BETHLEHEM, PA 18018
 PHONE: 610-867-1401 FAX: 610-866-1433
 www.breykrause.com
 Brey-Krause Mfg. reserves the right to make changes in design and/or materials without formal notice and without incurring obligation.

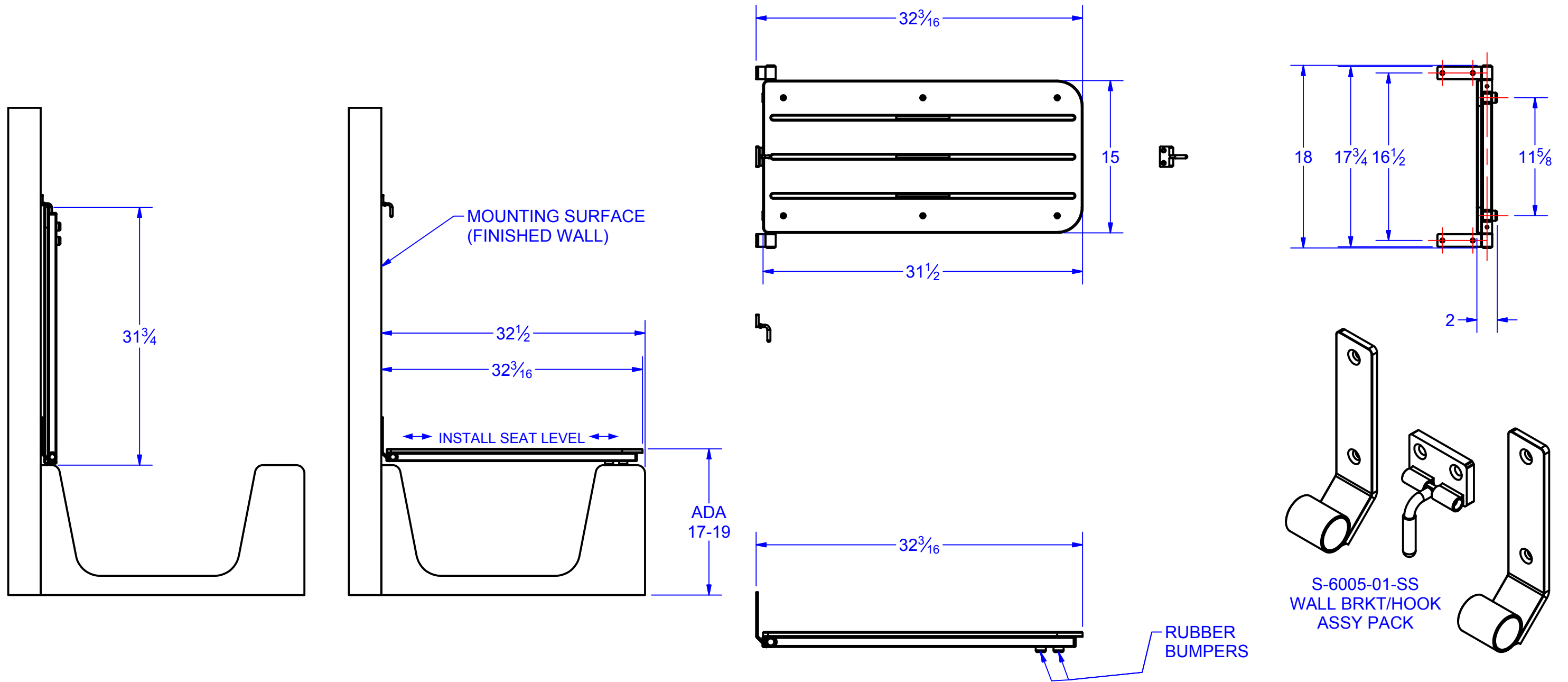
TECHNICAL DATA SHEET

S-6277-SS

ADA 15" WIDE FOLDING TUB SEAT WITH IVORY PHENOLIC TOP

DRAWN BY: K.R.Reinhart	DATE: 11/13/2014	B
TOLERANCES (UNLESS OTHERWISE SPECIFIED)		
FRACTIONAL : ± 1/8"	X.XX : ± 0.010	
∠ : ± 1°	X.XXX : ± 0.005	
	X.XXXX : ±	

FILE: S-6277-SS_Tech_DATA



CONSTRUCTION:
 FRAME: □1" X .049W 304 STAINLESS STEEL TUBE, FULLY WELDED TO PIVOT TUBES. HINGE BRACKETS: 7 GA. 304 SS WITH (2) 1/4" MTG. HOLES CTSK. FOR #10 OHS. WALL HOOK: 7 GA. 304 SS WITH (2) 1/4" CTSK. HOLES FOR #10 OHS. Ø1/4" ROD. SWIVEL HOOK ATTACHED WITH SLEEVES, WELDED TO PLATE.
 PHENOLIC TOP: 1/2" 1 PIECE, FASTENED TO FRAME WITH (6) SCREWS.
 (4) BLACK RUBBER BUMPERS TO PROTECT TUB SURFACE.

OPERATION:
 TO USE, LOWER SEAT ACROSS TUB. LOWER GENTLY UNTIL RUBBER BUMPERS CONTACT THE TUB. (BUMPERS ARE NON-MARRING)
 WHEN SEAT IS NOT NEEDED, LIFT TO UPRIGHT POSITION AND ENGAGE HOOK TO HOLD UPRIGHT
 ~ WEIGHT: 16.9 LBS.

INSTALLATION:
 SLIDE THE HINGE BRACKETS ONTO THE SEAT FRAME PIVOT TUBES. PLACE THE SEAT ON THE TUB. LOCATE THE SEAT AT THE DESIRED LOCATION AND MOUNT THE HINGE BRACKETS TO THE WALL
 LIFT SEAT TO VERTICAL POSITION, LOCATE WALL HOOK SO THAT IT IS IN THE PROPER POSITION TO HOLD THE TOP OF THE SEAT. FASTEN IT TO THE WALL.
 CAUTION: SEAT IS ONLY AS STRONG AS THE ANCHORING DEVICES AND THE WALL ON WHICH IT IS MOUNTED TO.